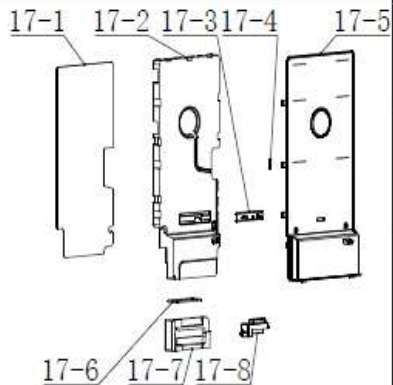
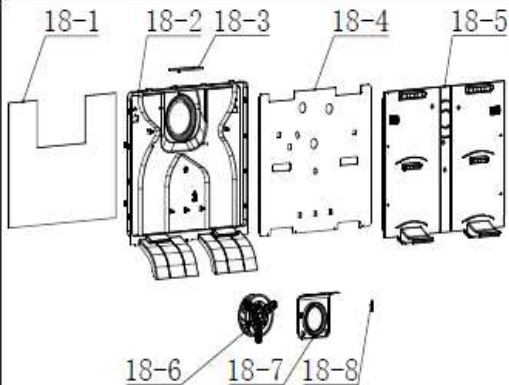


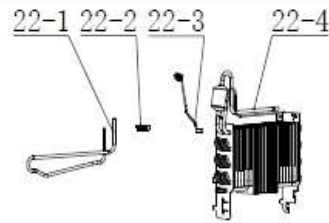
NO. 17



NO. 18



NO. 22



NO. 27&NO. 28

